

Messy Church at Home no 6



“He is Alive” second session

“Why are you looking in the place of the dead for someone who is alive”? *Luke 24 (CEV)*

Jesus showed himself to the disciples in different ways after he had risen from the cave.

He showed them that he was really alive and with them. He wanted them to believe what they could see.

Jesus’ friends needed to use all of their senses to feel and see his presence.

Remember from last week

- ❖ Mary Magdalene who mistook Him for a gardener..... **Smelling** or sensed someone behind her she turned and realised he was not the gardener. He was Jesus.
- ❖ He entered a locked room to join them for a meal. The **tasting** of food with our Lord brought him to life for the disciples.
- ❖ He asked Thomas the doubter to touch his wounds to prove he was really alive. After **touching** Jesus’ wounds, he shouted out his belief **“My Lord and my God!” in John 20.**
- ❖ On the road to a town called Emmaus he walked with two disciples and talked. **Listening** to the stranger meant that the disciples woke up to Jesus when he broke the bread with them in the evening.
- ❖ When Peter and his friends were fishing Jesus was on the beach and He was **seen** from the boat on the beach.

Today we are looking at Thomas and Jesus’ invitation to touch his wounds and believe “He is Alive”. The friends who were travelling to Emmaus talked and listened to Jesus. Then lastly Peter who, with the disciples was fishing in a boat, saw him and rushed ashore.

1 The Story of Doubting Thomas. Please copy and paste this link into your search engine

<https://www.youtube.com/watch?v=vLqX5VQTCbg> by PursueGOD Kids

2 Prayer Time

Doubting Thomas had to touch Jesus to believe. Then Jesus told him, **“Because you have seen me, you have believed; blessed are those who have not seen and yet have believed.” John 20 verse 29**

Please *touch* a favourite object that God has given you and ask God for Help.

How do I / we recognise Jesus?

How do I / we see Jesus in other people?

How do people see Jesus in me /us?

Write down or ask those who prefer reading and writing to write down for you some of your answers.

I believe that you are alive and can help me to and show everyone that you are alive in me.

Amen

3 Sing and dance along to “This little light of mine” please copy and paste this link into your search engine

<https://www.youtube.com/watch?v=cKkblZtghyQ>

This Little Light Of Mine from the DVD "Let It Shine!" Buy our DVD's at <http://www.listenerkids.com>

4 Story Time The story of the friends on the road to Emmaus and the disciples in a boat in Galilee

<https://www.youtube.com/watch?v=sAUGRNhSwKw> An animated film from Kids' Church, Marple. *Phillipalston*

and Little figures: Godly play story of Peter in the boat and seeing Jesus on the shore.

<https://www.youtube.com/watch?v=vqPjK8xZFE8> by GCED | HeartFelt Bible

5 Crafts

- **How to feel Jesus is with us by touch.**

How to. A treasure hunt: can you collect 6 to 12 objects from around the house or garden (depending on age). Something soft, something hard, something slimy, something wet, something rough and something sooth. Now put the objects in a bag. It doesn't matter what sort of bag it is, but you need to put your hand in without seeing what you are feeling. Ask another member of your family household to put their hand in and guess what it is. Each time they guess right make a huge fuss of them, banging a drum and shouting hallelujah.

Why. Jesus didn't mind that Thomas wanted to feel that he was alive, he accepted it and let him feel his wounds. Though we cannot feel Jesus' wounds, we can feel when he is with us, but we need to identify him and not confuse him with other things. When we recognise his touch in our lives it is good to celebrate and sing about him. I like to feel a small wooden cross I keep in my pocket which reminds me Jesus is close.

- **Listen to Jesus and learn to recognise his voice**

Photo © Peter Brodbelt



How to. Find the template at the end of this pdf and some card. It can be any colour the stronger the colour the more noticeable your head dress will be. Cut out the ears and two 7cm lengths of card that will go around your head. Measure the card on your head and join together with tape. **! have listening ears** on the front of the band and attach the ears which you may have coloured. You can use paper plates for the ears, but they need to be stiff so they will stand out.

Now practise listening to other members of your family!!

Why. Have you listened to the story of the friends talking listening and walking to Emmaus? If not try to watch the YouTube video now? <https://www.youtube.com/watch?v=sAUGRNhSwKw>. If they hadn't talked and **listened** to the stranger who walked with them they would never have made friends with Jesus and broken bread with him. I listen for Jesus' voice every day; he is walking with me, helping me and teaching me to have faith he is alive and will carry my burdens for me.

Like Peter we need to see Jesus



How to. Find instructions at the end of this pdf. This is a quite simple boat made out of a piece of paper A4 size. Older children can manage this all on their own. We can use lots of different colourful papers.

Why. Have you listened to the You Tube video using little models to tell the story of Jesus on the beach and Peter and the disciples fishing in a boat? <https://www.youtube.com/watch?v=vqPjK8xZFE8>. It is a simple story of the how Jesus wants us to persist and sometimes look behind us. But we also need to look out for Jesus in unexpected places.

6 Sing along and dance to. Yancy & Little Praise party Praise the Lord Every Day from Taste and See

<https://www.youtube.com/watch?v=v5EC22vjUdg> YancynotNancy

7 Prayer Time

Please take your bag of different objects and feel them each individually and say thank you to God for whatever you have chosen from around your home.

Then using all our senses let us pray to our Lord Jesus:

'You gave us noses to smell all the flowers and farts in the world. Thank you.

You gave us tongues so we could taste all the different foods from around the world. Thank you.

You gave us sensitive skin so we could feel the hugs and kisses from our family. Thank you.

You gave us ears that we may hear each other and listen carefully to the small sounds of your world. Thank you.

You gave us eyes to see each other and help us to notice how our friends are happy or sad. Thank you

Please stay close to us so we can feel your presence, hear your voice and see where we need to go.

Let us sense what you want us to do today.

Amen

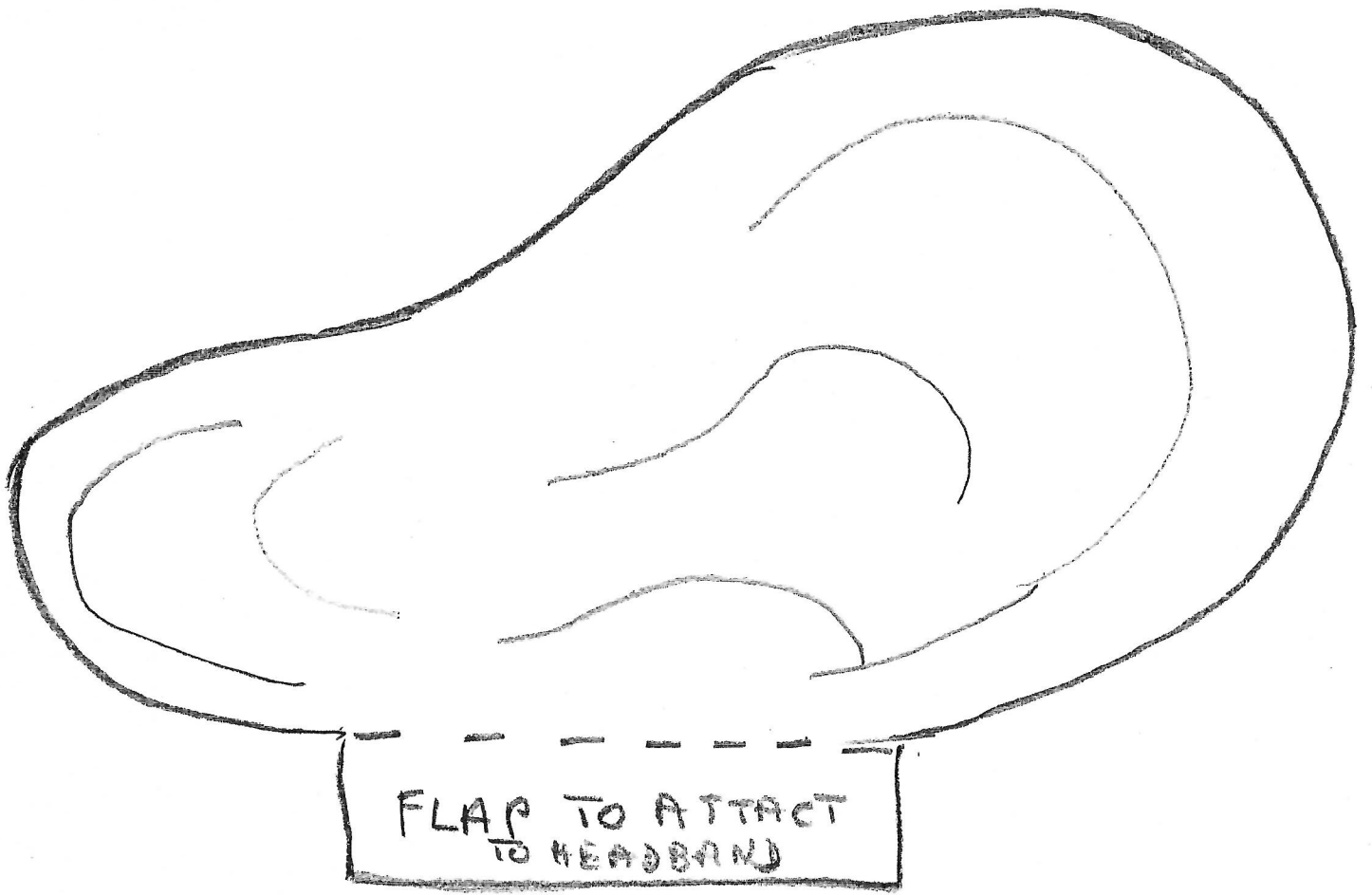
This week's challenge.

Please write a prayer for all those people who are suffering from COVID-19 and the effects of the virus all over the world. Believing and trusting that "God is Alive" and here today, helping us all. Can you send it to me if possible or your local Messy Church leader.

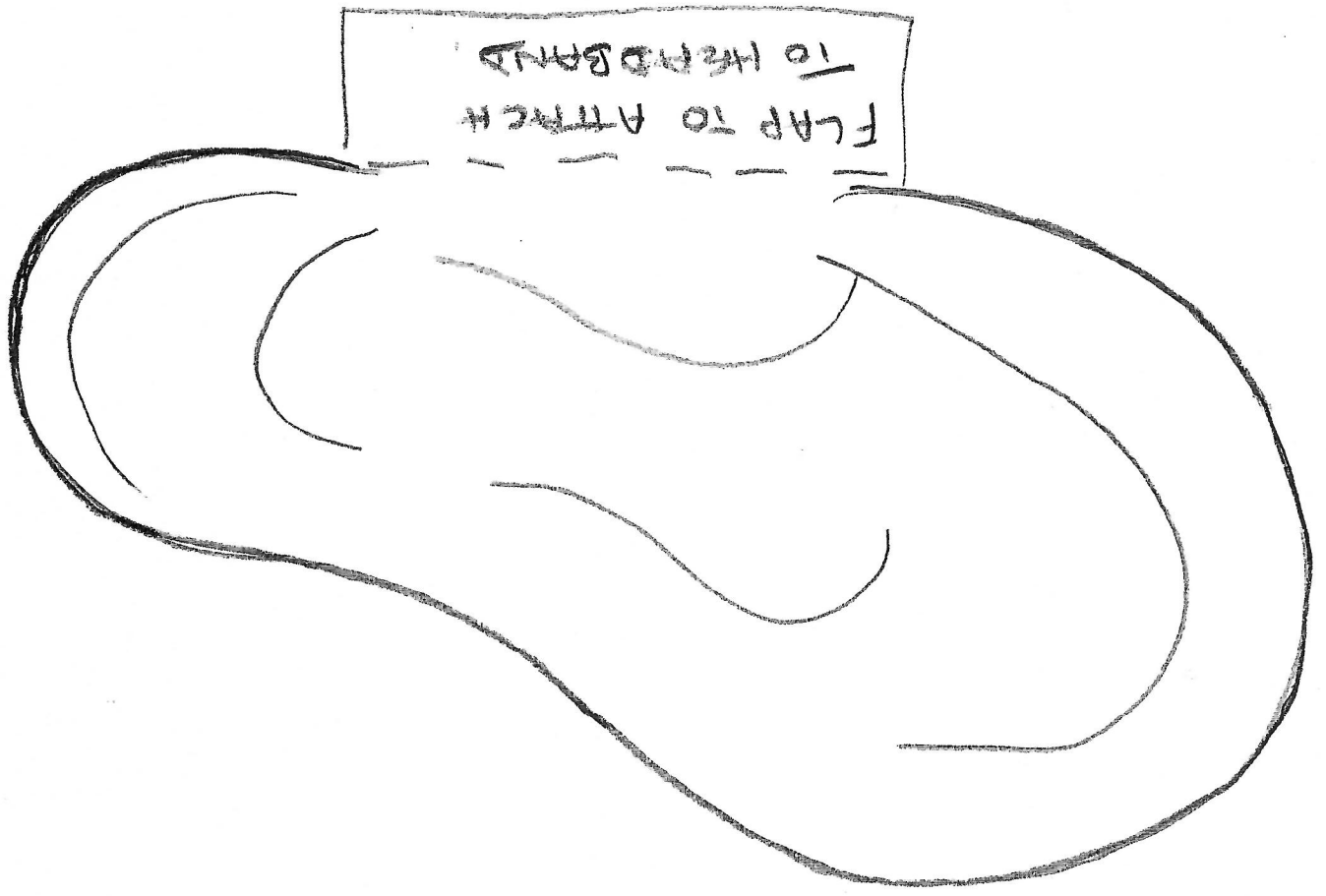
I hope you will have time to have a meal together after this Messy Church at Home session.

Messy Grace May the grace of our Lord Jesus Christ (Hold out your hands as if expecting a present) And the love of God (Put your hands on your heart) And the fellowship of the Holy Spirit (Hold hands) be with us evermore. (Hands up in the air) Amen.





FLAP TO ATTACT
TO HEADBAND



FLAP TO ATTACH
TO HEADBAND

2/1/2020

Instructions for making a paper boat

1. Take a sheet of A4 paper and fold it in half widthways (Figure 1).
2. Find the centre point along the folded edge of the paper and fold the comers down to meet in the middle, forming a triangle (Figure 2).
3. Open out the remaining edge of the paper and fold each side back towards the triangle, forming a hat shape (Figure 3).
4. Holding the lower edge (the 'brim' of the hat) at the centre point on both sides, open the shape out and refold it to make a diamond. Tuck the loose ends neatly under each other on both sides (Figure 4).
5. Lay the diamond shape flat and fold back the open end to match the triangle shape at the top of the diamond (Figure 5).
6. Tum the paper over and repeat with the other side (Figure 6).
7. Once again, holding the lower edge at the centre point, open the shape out and refold it to make a diamond shape (Figure 7).
8. Take hold of the outer points on both sides of the top of the diamond and gently pull them apart in an outward direction (Figure 8). This will form the boat shape, with the small centre triangle acting as a sail.
9. Gently shape the paper around the base of the sail so that the bottom of the hull is slightly flattened, allowing the boat to stand (Figure 9). The finished boat will be strong enough to float on water for a short length of time.

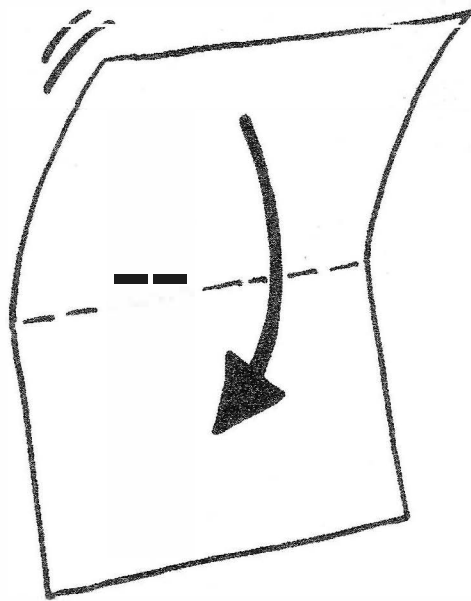


Figure 1

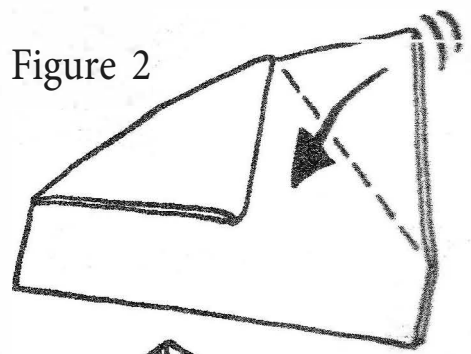


Figure 2

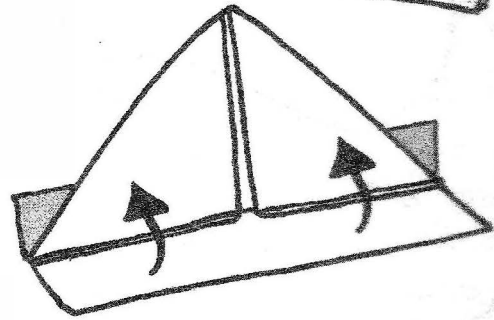


Figure 3

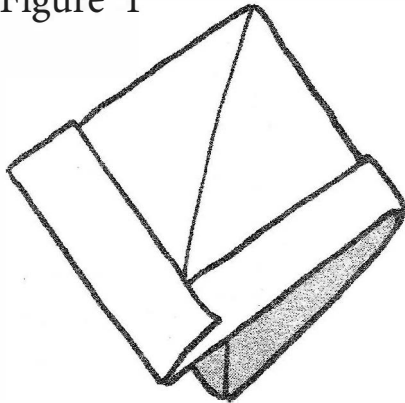


Figure 4

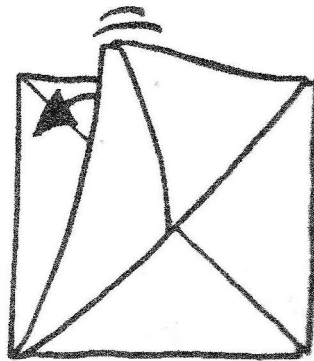


Figure 5

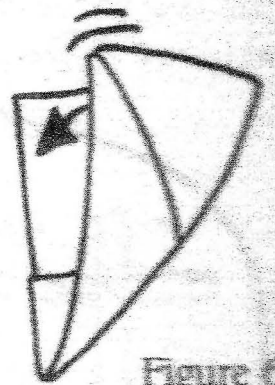


Figure 6

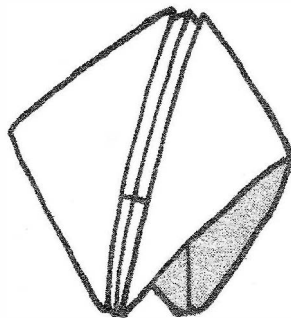


Figure 7

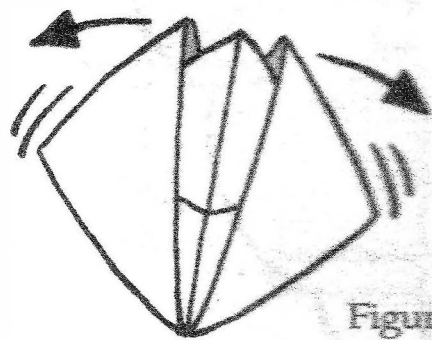


Figure 8

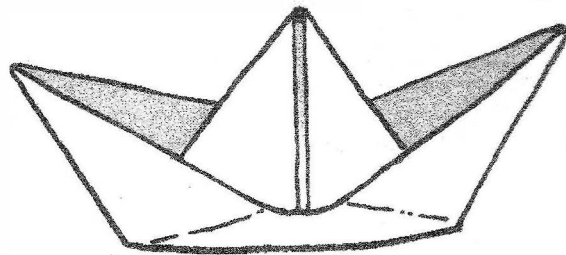


Figure 9